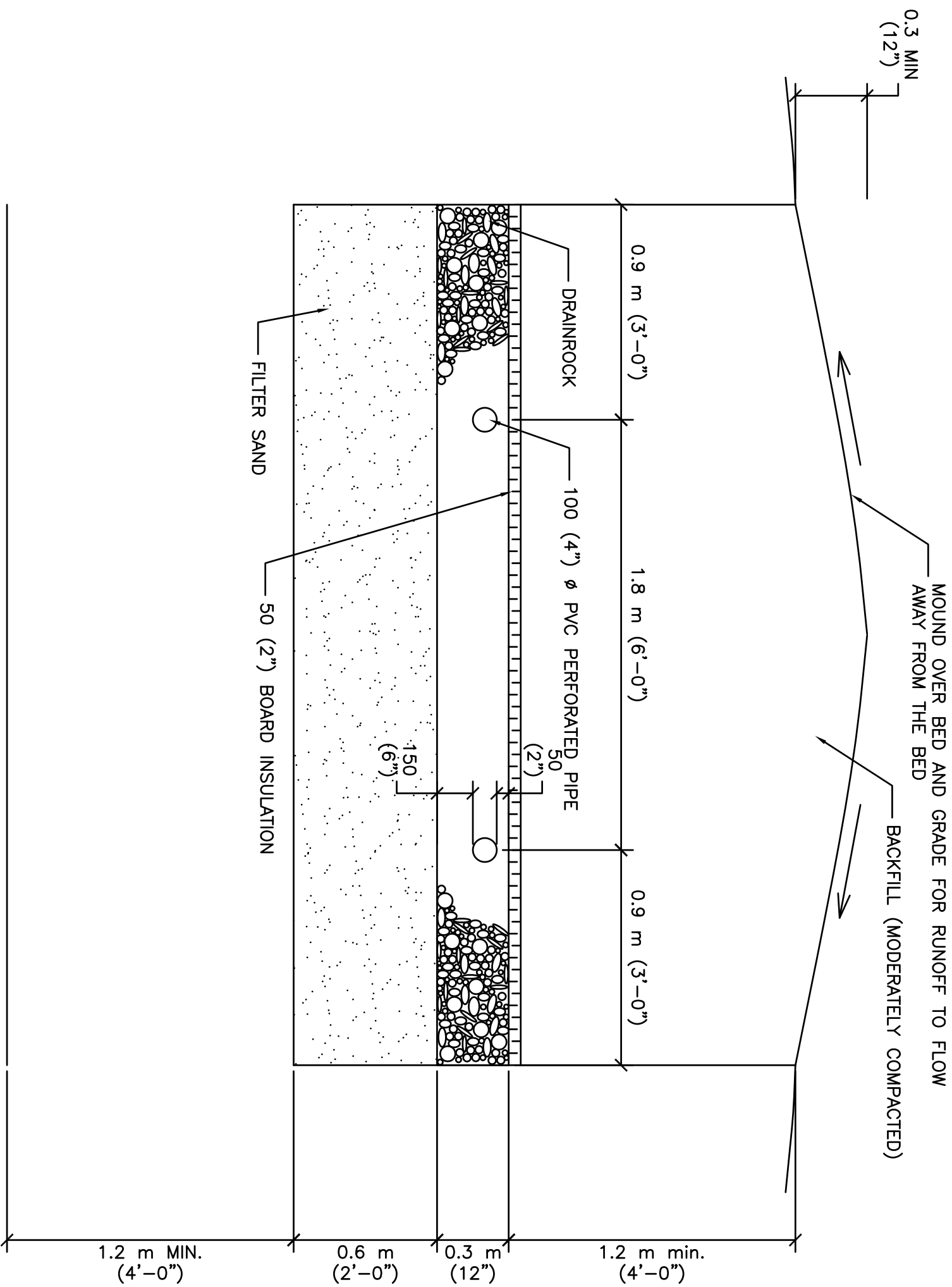


**SITE PLAN**

NTS.

EXACT LOCATION OF SEPTIC TANK, ABSORPTION BED AND CHAIN LINK FENCE TO BE DETERMINED BY OWNER & ENGINEER

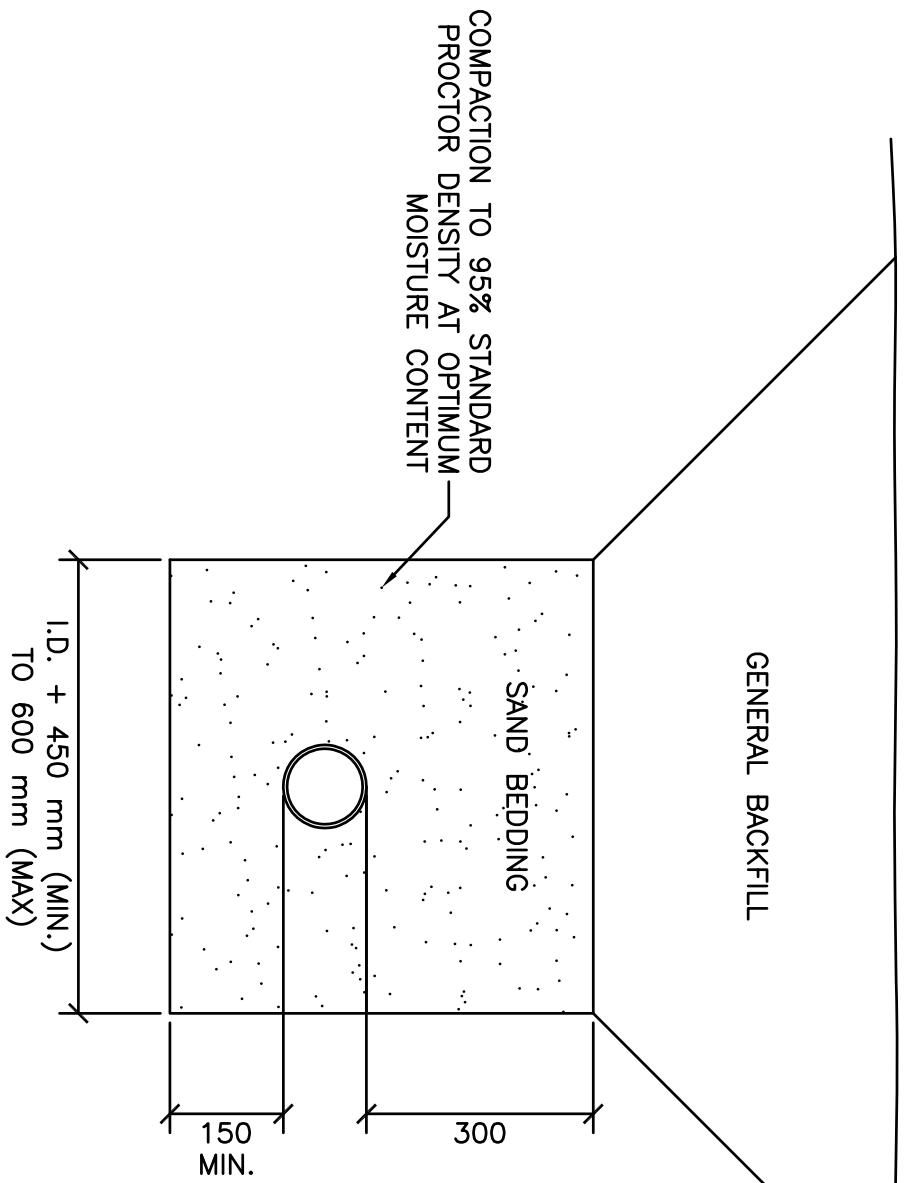
N.A. JACOBSEN, P.Eng. CIVIL ENGINEERING CONSULTANT	PROJECT TITLE	TUTCHITUA GRADER STATION, km 115, CAMPBELL HWY., NEW SEPTIC SYSTEM	SCALE: AS SHOWN	DATE: MAY 20, 2008
	DRAWING TITLE	SITE PLAN	CHECKED	APPROVED
			DRAWN BY: Ian Stallabrass	DRAWING NO. M1 OF 3



# ABSORPTION BED SECTION

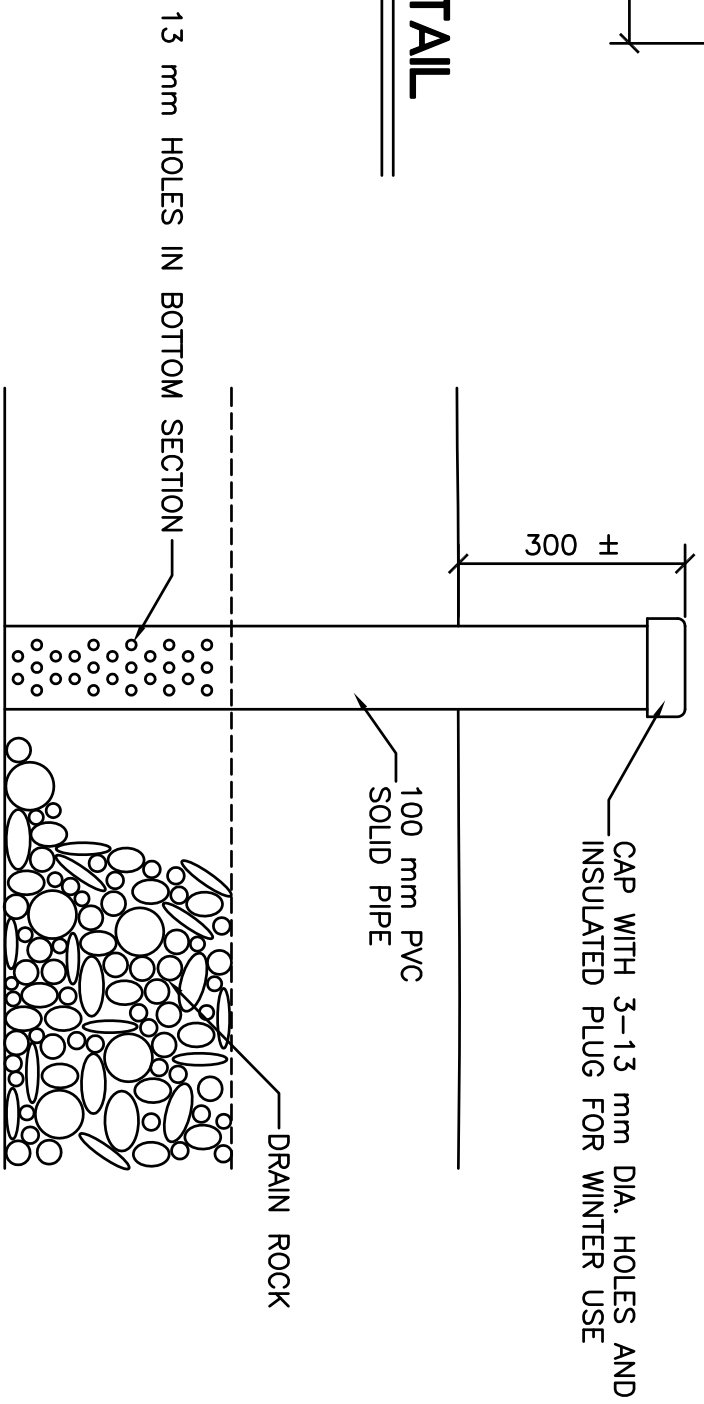
N.T.S.

N.A. JACOBSEN, P.Eng. CIVIL ENGINEERING CONSULTANT	PROJECT TITLE	TUTCHITUA GRADER STATION, km 115, CAMPBELL HWY., NEW SEPTIC SYSTEM	SCALE: AS SHOWN	DATE: MAY 20, 2008
	DRAWING TITLE	ABSORPTION BED SECTION	CHECKED	APPROVED
			DRAWN BY: Ian Stallabrass	DRAWING NO. M2 OF 3



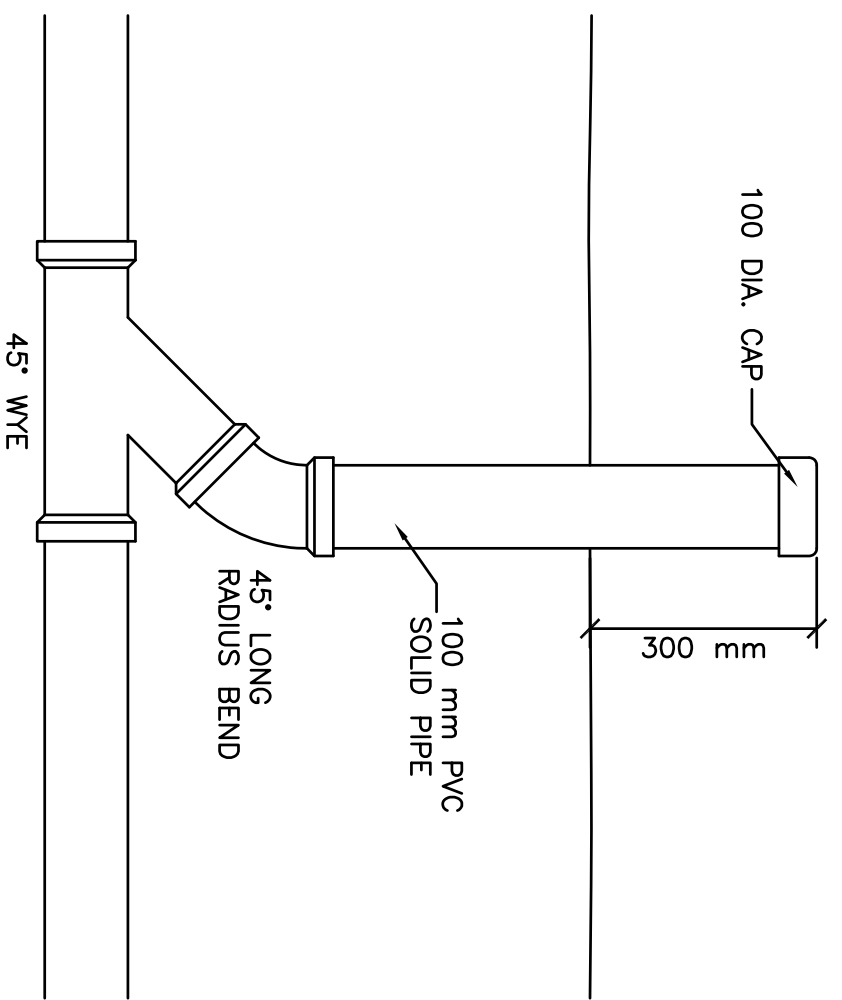
## PIPE BEDDING DETAIL

NTS.



## MONITORING STAND PIPE DETAIL

NTS.



## CLEANOUT DETAIL

NTS.

N.A. JACOBSEN, P.Eng. CIVIL ENGINEERING CONSULTANT	PROJECT TITLE	TUTCHITUA GRADER STATION, km 115, CAMPBELL HWY., NEW SEPTIC SYSTEM	SCALE: AS SHOWN	DATE: MAY 20, 2008
	DRAWING TITLE	DETAILS	CHECKED	APPROVED
			DRAWN BY: Ian Stallabrass	DRAWING NO. M3 OF 3